



An Oshkosh Corporation Company



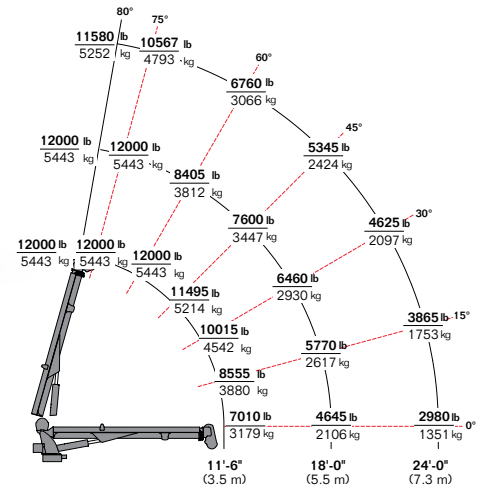
12000 SERIES

Telescopic Crane

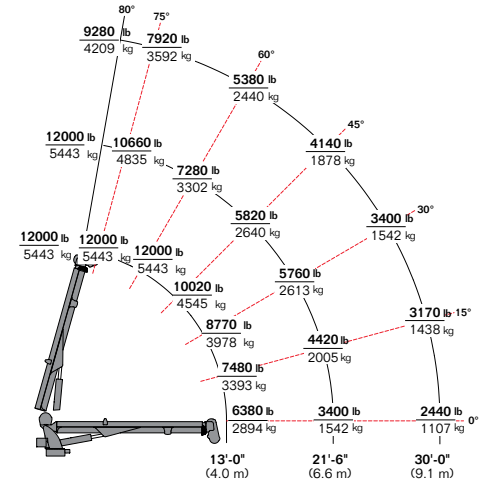
Let our telescopic cranes take on the heavy lifting. The IMT 12000 Series telescopic crane has a maximum lifting capacity of 12,000 lb (5443.1 kg) and a horizontal boom reach of 30' (9.1 m). Featuring the Penta Boom™ design, this crane is built for strength and control, and when combined with an IMT Dominator® mechanics truck, creates the ultimate service and maintenance truck.

> 12000 SPECIFICATIONS

Length	Power	Crane Rating	Max. Horizontal Reach	Max. Lift Capacity	Crane Weight
25'	Hydraulic	81,000 ft-lb	24' 8"	12000 lb	2610
30'	Hydraulic	81,000 ft-lb	31' 10"	12000 lb	2720



25' BOOM



30' BOOM

STANDARD FEATURES

- Fully proportional "pistol grip" radio remote control
- Flip sheave boom tip
- Boom angle -10° to +80°
- Increased capacity
- Hook stow
- Anti-two-block device
- Radio remote control receiver



RADIO REMOTE CONTROL

Our pistol grip handle is ergonomic while increasing comfort and decreasing hand fatigue and is available with joystick or toggle switch controls.



RADIO REMOTE CONTROL RECEIVER

To simplify troubleshooting and increase productivity, our radio remote control receiver provides an LED readout detailing error codes. It also uses programmable logic for precise control of individual functions.

OPTIONS

- 25' (7.6 m) or 30' (9.1 m) of boom reach
- Boom tip lights

BODY SIZES

- Dominator III
- Dominator IV



FLIP SHEAVE

Our unique flip sheave allows operators to work in tighter areas by reducing the boom tip profile height by 8" (20.3 cm).

NOTHING SAYS COMMITMENT LIKE THE DIAMOND.™



An Oshkosh Corporation Company

Iowa Mold Tooling Co., Inc. | 500 Highway 18 West | Garner, Iowa 50438 | 800-247-5958 | imt.com

IMT reserves the right to make changes in engineering, design, and specifications; add improvements; or discontinue manufacturing at any time without notice or obligation. IMT, the IMT logo, Dominator and NOTHING SAYS COMMITMENT LIKE THE DIAMOND are registered trademarks or trademarks of Iowa Mold Tooling Co., Inc., Garner, IA, USA. © 2017 Iowa Mold Tooling Co., Inc. All Rights Reserved.

